

# iqua ultra U18 / iqua IQ U28

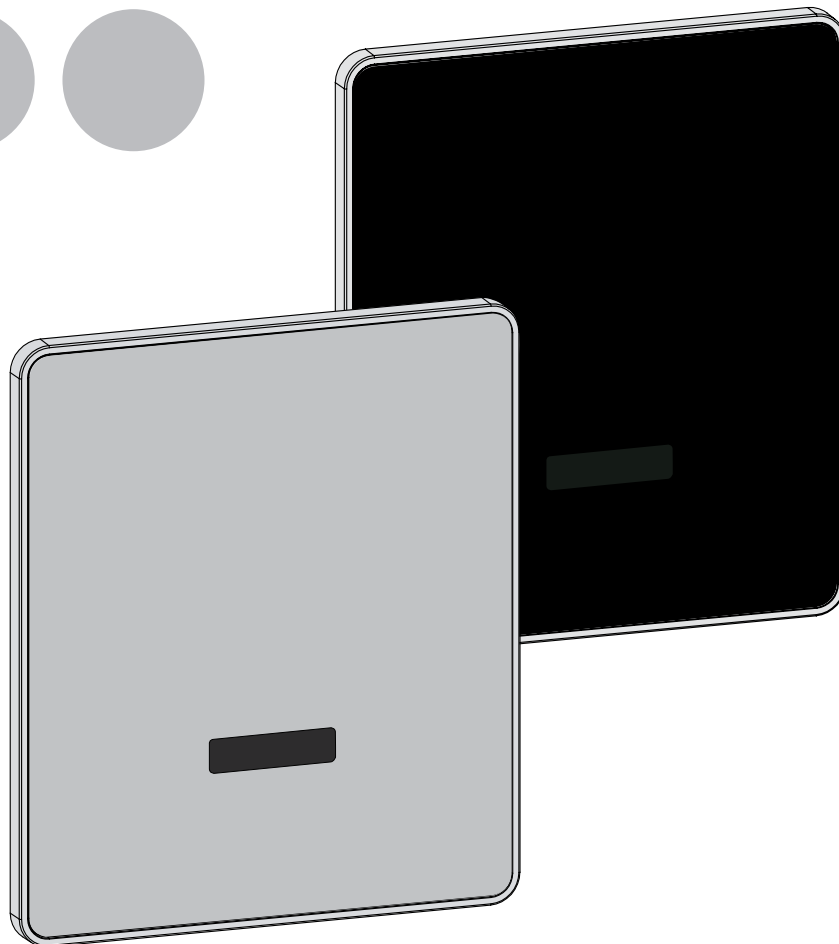
Urinalarmatur Unterputz

Urinal flush valve concealed

Orinatoio a incasso

Declenchement électronique pour urinoir

U18  
U28



Montage/Bedienungsanleitung  
Installation/User manual  
Istruzioni di montaggio/per l'uso  
Notice d'installation/d'utilisation



---

- **Richtlinien zur Installation**
- **Direttiva per l' Installazione**

- DIN 1988 und Anschlussbedingungen des örtlichen Wasserwerkes beachten.
- Installation und Lagerung nur in frostsicheren Räumen.



Der Netzanschluss zum Netzteil ist mit geeigneten Mitteln abzusichern.

- Refer the connection requirements of your local water company.
- Install and store in frost-proof rooms only.



The mains supply must protect by suitable fuse.

- **Installation guidelines**
- **Directives d'installation**

- Si prega di osservare le norme esistenti per l'installazione e l'allacciamento all'impianto idrico.
- Installazione e deposito solo in locali protetti da gelo.



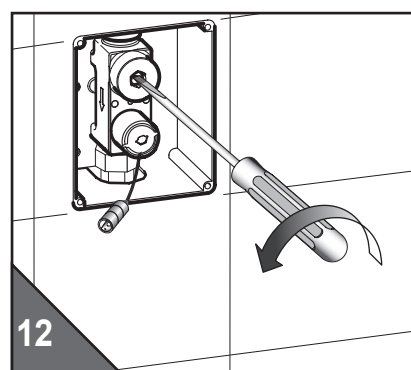
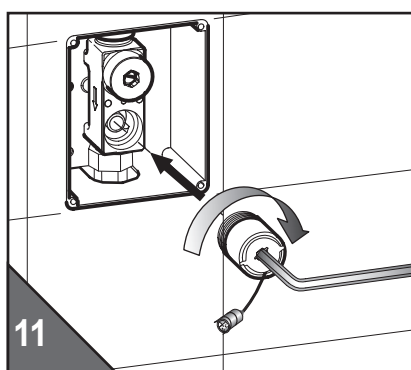
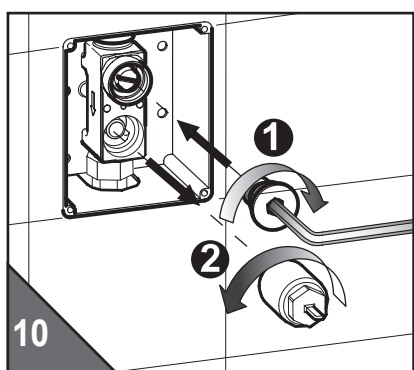
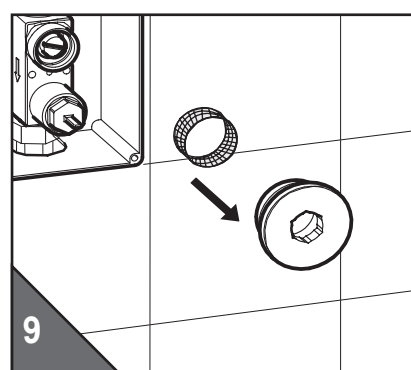
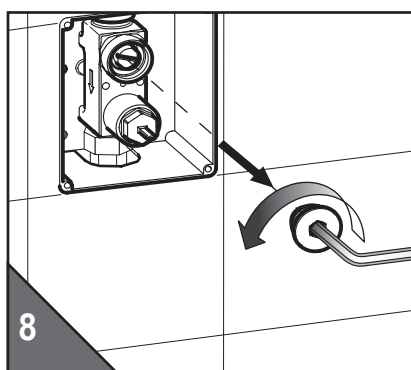
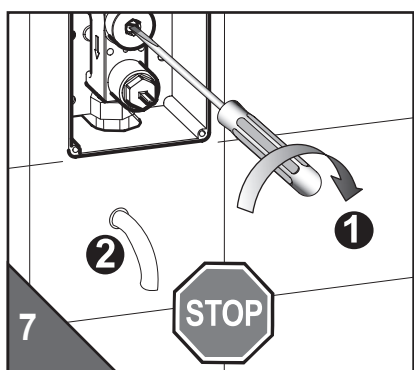
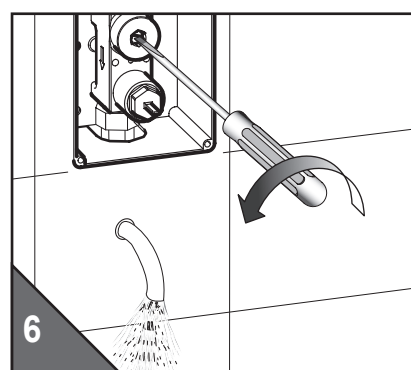
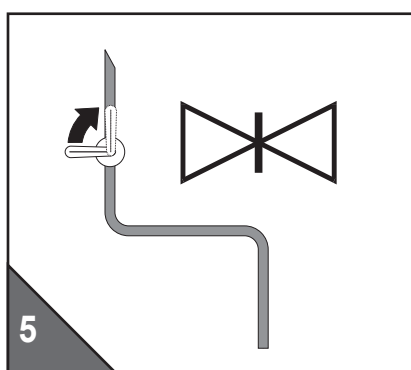
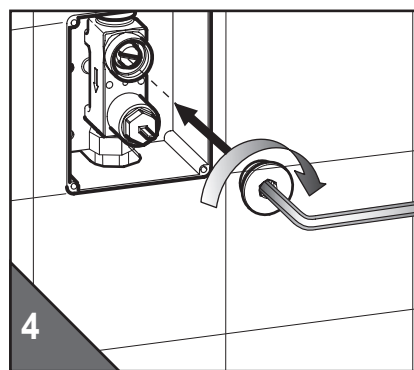
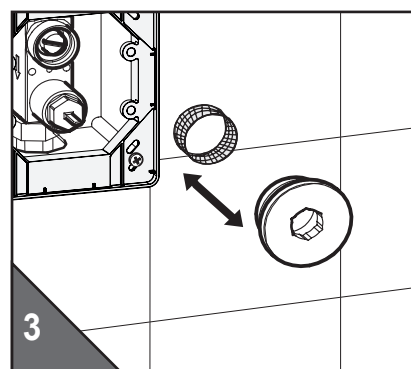
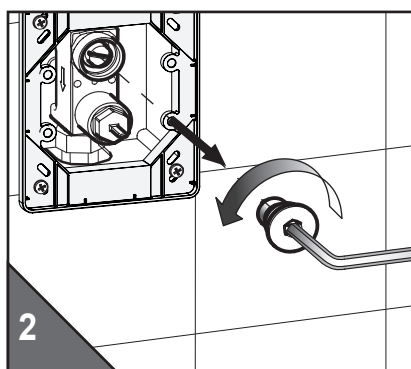
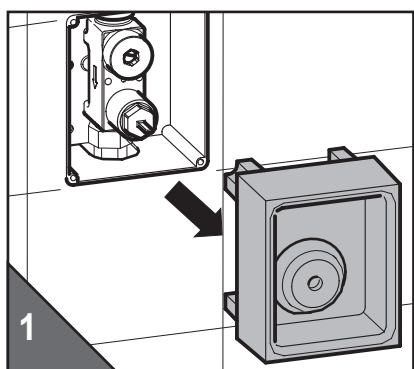
Collegare l'alimentatore alla rete di corrente con una protezione adeguata

- Respecter les normes en vigueur et les conditions de raccordement au réseau d'eau local.
- Installation et stockage dans des locaux à l'abri du gel.



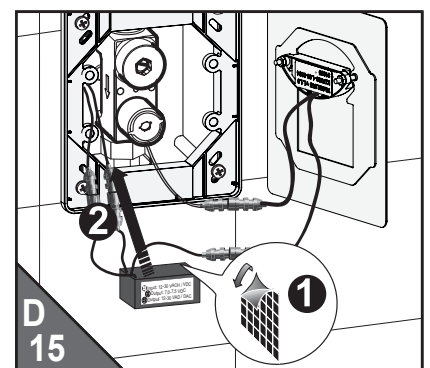
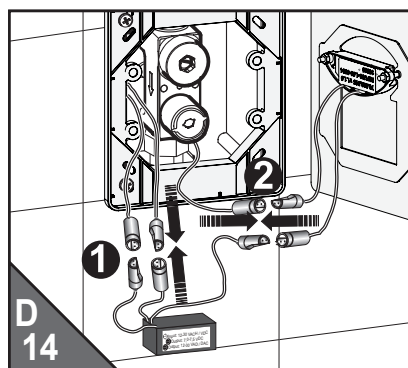
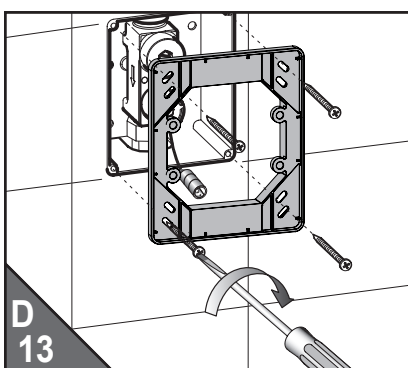
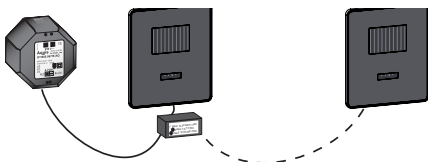
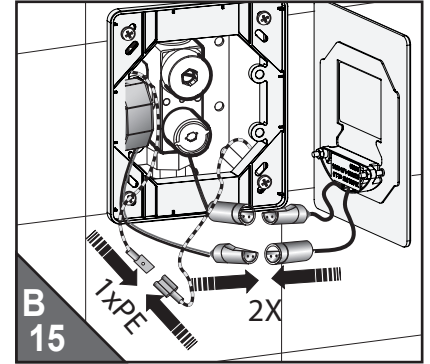
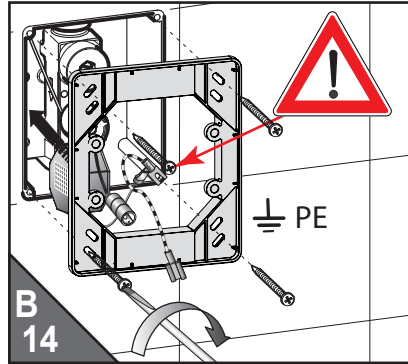
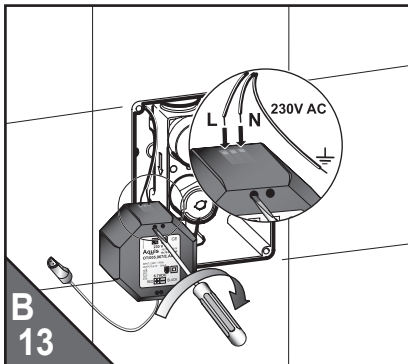
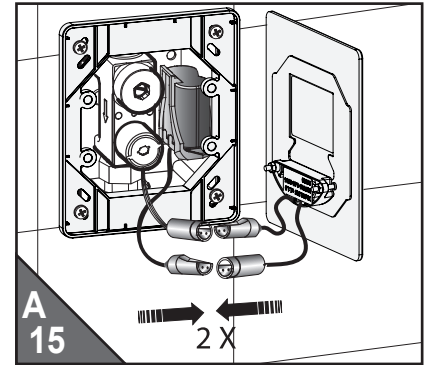
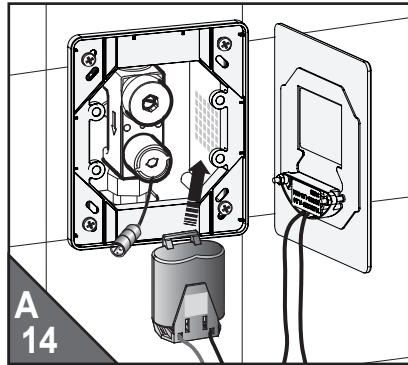
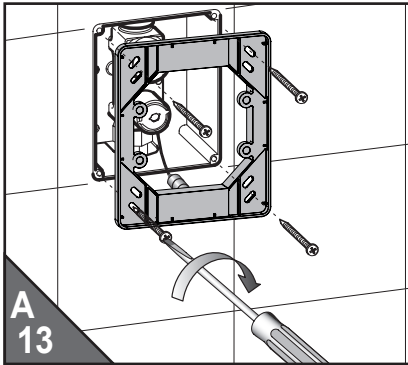
Protéger le raccordement secteur avec le fusible approprié.

• Installation • Installation • Installazione • Installation



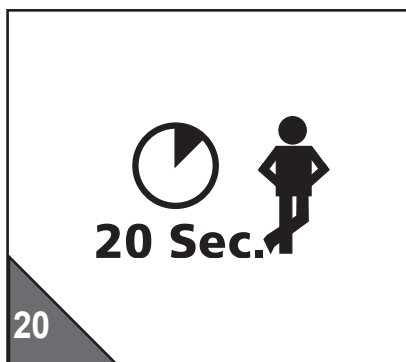
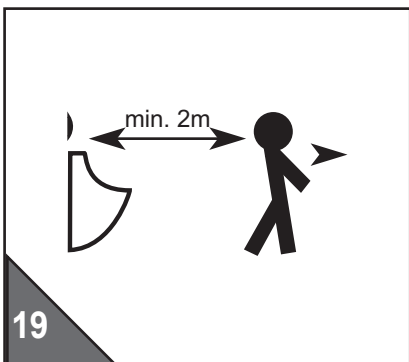
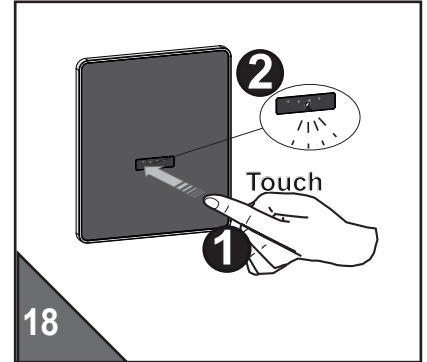
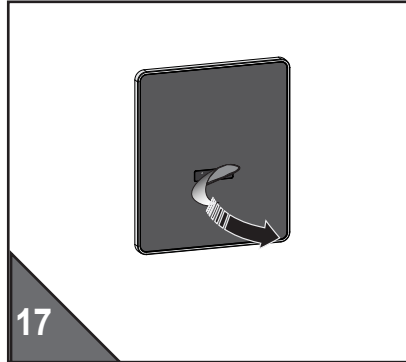
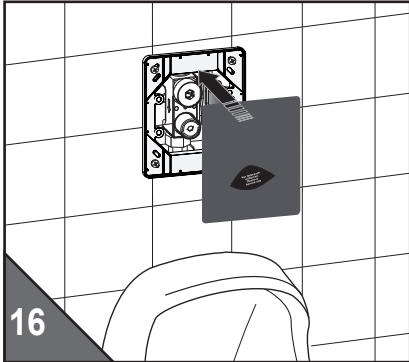
- Variantenmontage
- Montaggio varianti

- Model installation
- Montage spécifique




- Endmontage
- Montaggio finale

- Final installation
- Montage définitif




# • Elektronikfunktionen

signs and symbols	⊙ - touch iqua-Touch		☞ - hand/object within sensor area
	☰☰☰ - water flows		① - LED flashes GREEN
	☰☰☰ - waterflow stops		② - LED flashes RED
	h - hours / min. - minutes / sec. - seconds		

function	procedure	feedback signal	information	default	setting range via iqua-Touch	setting range via PC*																				
	remove sticker + 1x ☞ app. 1 sec. till	② + ☰☰☰	② 1x/sec., keep out of sensor area																							
	wait till	① 1x																								
<b>operation mode</b>	1x ☞ >10 sec. (<10 Min.)	☰☰☰	water flows after leaving the sensor area minimum ☞=10 sec. - if ☞<10 sec. no flushing	-	-	-																				
<b>minimum residence time</b>	-	-	fixed, adjustable via PC*	10 sec.	-	3-30 sec.																				
<b>flushing time for normal operation set / programm</b>	1x ⊙ app. 2 sec. till	① 1x	extended function mode is active	7 sec.	2-30 sec.	0-3600 sec.																				
	1x ⊙ app. 5 sec. till	② 1x																								
	1x ⊙ 2 - 30 sec. keep touched	② + ☰☰☰	② 1x/sec. and water flows during touching - releasing defines flushing time																							
	after releasing	① 1x	confirmation, ready for operation																							
<b>temporary off «cleaning mode» activate</b>	1x ⊙ app. 2 sec. till	① 1x	extended function mode is active	15 min.	-	0-3600 sec.																				
	2x ⊙ a app. 0,5 sec.	②	② pulsing during active function																							
<b>temporary off stop</b>	1x ⊙ app. 0,5 sec.	① 1x	manual stop	15 min.	-	0-3600 sec.																				
	automatic (preset time)	① 1x	automatic after preset time																							
<b>manual flush activate</b>	1x ⊙ app. 2 sec. till	① 1x	extended function mode is active	flushing time	see flushing time	see flushing time																				
	1x ⊙ minimum 3 sec. (max. 5 sec.)	☰☰☰☰☰	① 1x/sec and waterflow after releasing																							
<b>manual flush stop</b>	1x ⊙ app. 0,5 sec.	☰☰☰	manual stop	flushing time	see flushing time	see flushing time																				
	automatic (preset time)	☰☰☰	automatic after preset time																							
<b>line purge feature «automatic flush on set intervall of non usage»</b>	1x ⊙ app. 2 sec. till	① 1x	extended function mode is active	off	off	off																				
			<table border="1"> <thead> <tr> <th></th> <th>purge</th> <th>preflush</th> <th></th> <th>purge</th> <th>preflush</th> </tr> </thead> <tbody> <tr> <td>② 1x</td> <td>off</td> <td>off</td> <td>② 4x</td> <td>off</td> <td>on</td> </tr> <tr> <td>② 2x</td> <td>24 h</td> <td>off</td> <td>② 5x</td> <td>24 h</td> <td>on</td> </tr> <tr> <td>② 3x</td> <td>48 h</td> <td>off</td> <td>② 6x</td> <td>48 h</td> <td>on</td> </tr> </tbody> </table>					purge	preflush		purge	preflush	② 1x	off	off	② 4x	off	on	② 2x	24 h	off	② 5x	24 h	on	② 3x	48 h
	purge	preflush		purge	preflush																					
② 1x	off	off	② 4x	off	on																					
② 2x	24 h	off	② 5x	24 h	on																					
② 3x	48 h	off	② 6x	48 h	on																					
<b>preflush feature activate / deactivate</b>	1x ⊙ app. 25 sec. till	② 1x - 6x	ignore flashes after 5 sec. and 10 sec. - keep touched till ② 1x - 6x after app. 25 sec., releasing defines interval	2 sec.	on/off	1 - 3600 sec.																				
<b>restart electronics</b>	1x ⊙ app. 2 sec. till	① 1x	extended function mode is active	-	-	manually																				
	2x ⊙ a app. 0,5 sec.	②	② pulsing during active function																							
	1x ⊙ app. 5 sec. till	② 4x	② 1x/sec.																							
	release and wait till	② + ☰☰☰	② 1x/sec., keep out of sensor area																							
	wait till	① 1x	confirmation, ready for operation																							
<b>sensor range set / programm</b>	1x ⊙ app. 2 sec. till	① 1x	extended function mode is active	6	1-8 steps	manually																				
	2x ⊙ a app. 0,5 sec.	②	② pulsing																							
	1x ⊙ app. 15 sec. till	② 1x - 8x	② 1x = min. .... ② 8x = max. ignore flashes ② 4x after 5 sec., keep touched till ② 1x - 8x after app. 15 sec., releasing defines sensor range step																							
	release and wait till	② + ☰☰☰	② 1x/sec., keep out of sensor area																							
	wait till	① 1x	confirmation, ready for operation																							
<b>security feature</b>	☞ >15 min.		automatic sensor setting	auto	-	-																				
<b>empty battery</b>	☞	②	② 2x/sec. during dedecting hand / object	auto	-	-																				

\* With optional Service-Adapter or wireless W-Combox and Service Monitor Software! Beside the mentioned functions the Service Monitor Software offers additional possibilities for custom parameterization.

## • electronic functions




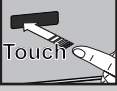



signs and symbols	☉ - touch iqua-Touch		☞ - hand/object within sensor area
	💧💧 - water flows		① - LED flashes GREEN
	XXX - waterflow stops		② - LED flashes RED
	h - hours / min. - minutes / sec. - seconds		








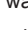




























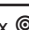





















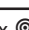

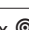


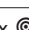














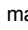
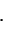


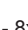






function	procedure	feedback signal	information	default	setting range via iqua-Touch	setting range via PC*																				
	remove sticker + 1x ☞ app. 1 sec. till wait till	② + 💧💧 ① 1x	② 1x/sec., keep out of sensor area																							
<b>operation mode</b>	1x ☞ >10 sec. (<10 Min.)	💧💧	water flows after leaving the sensor area minimum ☞=10 sec. - if ☞<10 sec. no flushing	-	-	-																				
<b>minimum residence time</b>	-	-	fixed, adjustable via PC*	10 sec.	-	3-30 sec.																				
<b>flushing time for normal operation set / programm</b>	1x ☉ app. 2 sec. till	① 1x	extended function mode is active	7 sec.	2-30 sec.	0-3600 sec.																				
	1x ☉ app. 5 sec. till	② 1x																								
	1x ☉ 2 - 30 sec. keep touched	② + 💧💧	② 1x/sec. and water flows during touching - releasing defines flushing time																							
	after releasing	① 1x	confirmation, ready for operation																							
<b>temporary off «cleaning mode» activate</b>	1x ☉ app. 2 sec. till	① 1x	extended function mode is active	15 min.	-	0-3600 sec.																				
	2x ☉ a app. 0,5 sec.	②	② pulsing during active function																							
<b>temporary off stop</b>	1x ☉ app. 0,5 sec.	① 1x	manual stop	15 min.	-	0-3600 sec.																				
	automatic (preset time)	① 1x	automatic after preset time																							
<b>manual flush activate</b>	1x ☉ app. 2 sec. till	① 1x	extended function mode is active	flushing time	see flushing time	see flushing time																				
	1x ☉ minimum 3 sec. (max. 5 sec.)	☞💧💧	① 1x/sec and waterflow after releasing																							
<b>manual flush stop</b>	1x ☉ app. 0,5 sec.	☞☞☞	manual stop	flushing time	see flushing time	see flushing time																				
	automatic (preset time)	💧💧	automatic after preset time																							
<b>line purge feature «automatic flush on set intervall of non usage»</b>	1x ☉ app. 2 sec. till	① 1x	extended function mode is active	off	off 24 h 48 h	off 1-5000 h																				
	1x ☉ app. 25 sec. till	② 1x - 6x	<table border="1"> <thead> <tr> <th></th> <th>purge</th> <th>preflush</th> <th></th> <th>purge</th> <th>preflush</th> </tr> </thead> <tbody> <tr> <td>② 1x</td> <td>off</td> <td>off</td> <td>② 4x</td> <td>off</td> <td>on</td> </tr> <tr> <td>② 2x</td> <td>24 h</td> <td>off</td> <td>② 5x</td> <td>24 h</td> <td>on</td> </tr> <tr> <td>② 3x</td> <td>48 h</td> <td>off</td> <td>② 6x</td> <td>48 h</td> <td>on</td> </tr> </tbody> </table>					purge	preflush		purge	preflush	② 1x	off	off	② 4x	off	on	② 2x	24 h	off	② 5x	24 h	on	② 3x	48 h
	purge	preflush		purge	preflush																					
② 1x	off	off	② 4x	off	on																					
② 2x	24 h	off	② 5x	24 h	on																					
② 3x	48 h	off	② 6x	48 h	on																					
<b>preflush feature activate / deactivate</b>			ignore flashes after 5 sec. and 10 sec. - keep touched till ② 1x - 6x after app. 25 sec., releasing defines interval	2 sec.	on/off	1 - 3600 sec.																				
<b>restart electronics</b>	1x ☉ app. 2 sec. till	① 1x	extended function mode is active	-	-	manually																				
	2x ☉ a app. 0,5 sec.	②	② pulsing during active function																							
	1x ☉ app. 5 sec. till	② 4x	② 1x/sec.																							
	release and wait till	② + 💧💧	② 1x/sec., keep out of sensor area																							
	wait till	① 1x	confirmation, ready for operation																							
<b>sensor range set / programm</b>	1x ☉ app. 2 sec. till	① 1x	extended function mode is active	6	1-8 steps	manually																				
	2x ☉ a app. 0,5 sec.	②	② pulsing																							
	1x ☉ app. 15 sec. till	② 1x - 8x	② 1x = min. .... ② 8x = max. ignore flashes ② 4x after 5 sec., keep touched till ② 1x - 8x after app. 15 sec., releasing defines sensor range step																							
	release and wait till	② + 💧💧	② 1x/sec., keep out of sensor area																							
	wait till	① 1x	confirmation, ready for operation																							
<b>security feature</b>	☞ >15 min.		automatic sensor setting	auto	-	-																				
<b>empty battery</b>	☞	②	② 2x/sec. during dedecting hand / object	auto	-	-																				

\* With optional Service-Adapter or wireless W-Combox and Service Monitor Software! Beside the mentioned functions the Service Monitor Software offers additional possibilities for custom parameterization.



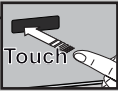

## • electronic functions







signs and symbols	 - touch iqua-Touch  - water flows  - waterflow stops h - hours / min. - minutes / sec. - seconds		 - hand/object within sensor area  - LED flashes GREEN  - LED flashes RED
-------------------	---	---	--

function	procedure	feedback signal	information	default	setting range via iqua-Touch	setting range via PC*																				
	remove sticker + 1x  app. 1 sec. till wait till	 +   1x	 1x/sec., keep out of sensor area																							
<b>operation mode</b>	1x  >10 sec. (<10 Min.)		water flows after leaving the sensor area minimum  =10 sec. - if  <10 sec. no flushing	-	-	-																				
<b>minimum residence time</b>	-	-	fixed, adjustable via PC*	10 sec.	-	3-30 sec.																				
<b>flushing time for normal operation set / programm</b>	1x  app. 2 sec. till	 1x	extended function mode is active	7 sec.	2-30 sec.	0-3600 sec.																				
	1x  app. 5 sec. till	 1x																								
	1x  2 - 30 sec. keep touched	 + 	 1x/sec. and water flows during touching - releasing defines flushing time																							
	after releasing	 1x	confirmation, ready for operation																							
<b>temporary off «cleaning mode» activate</b>	1x  app. 2 sec. till	 1x	extended function mode is active	15 min.	-	0-3600 sec.																				
	2x  a app. 0,5 sec.		 pulsing during active function																							
<b>temporary off stop</b>	1x  app. 0,5 sec.	 1x	manual stop																							
	automatic (preset time)	 1x	automatic after preset time																							
<b>manual flush activate</b>	1x  app. 2 sec. till	 1x	extended function mode is active	flushing time	see flushing time	see flushing time																				
	1x  minimum 3 sec. (max. 5 sec.)	 	 1x/sec and waterflow after releasing																							
<b>manual flush stop</b>	1x  app. 0,5 sec.	 	manual stop																							
	automatic (preset time)		automatic after preset time																							
<b>line purge feature «automatic flush on set intervall of non usage»</b>	1x  app. 2 sec. till	 1x	extended function mode is active	off	off	off																				
			<table border="1"> <thead> <tr> <th></th> <th>purge</th> <th>preflush</th> <th></th> <th>purge</th> <th>preflush</th> </tr> </thead> <tbody> <tr> <td> 1x</td> <td>off</td> <td>off</td> <td> 4x</td> <td>off</td> <td>on</td> </tr> <tr> <td> 2x</td> <td>24 h</td> <td>off</td> <td> 5x</td> <td>24 h</td> <td>on</td> </tr> <tr> <td> 3x</td> <td>48 h</td> <td>off</td> <td> 6x</td> <td>48 h</td> <td>on</td> </tr> </tbody> </table>					purge	preflush		purge	preflush	 1x	off	off	 4x	off	on	 2x	24 h	off	 5x	24 h	on	 3x	48 h
	purge	preflush		purge	preflush																					
 1x	off	off	 4x	off	on																					
 2x	24 h	off	 5x	24 h	on																					
 3x	48 h	off	 6x	48 h	on																					
<b>preflush feature activate / deactivate</b>	1x  app. 25 sec. till	 1x - 6x	ignore flashes after 5 sec. and 10 sec. - keep touched till  1x - 6x after app. 25 sec., releasing defines interval	2 sec.	on/off	1 - 3600 sec.																				
<b>restart electronics</b>	1x  app. 2 sec. till	 1x	extended function mode is active	-	-	manually																				
	2x  a app. 0,5 sec.		 pulsing during active function																							
	1x  app. 5 sec. till	 4x	 1x/sec.																							
	release and wait till	 + 	 1x/sec., keep out of sensor area																							
	wait till	 1x	confirmation, ready for operation																							
<b>sensor range set / programm</b>	1x  app. 2 sec. till	 1x	extended function mode is active	6	1-8 steps	manually																				
	2x  a app. 0,5 sec.		 pulsing																							
	1x  app. 15 sec. till	 1x - 8x	 1x = min. ....  8x = max. ignore flashes  4x after 5 sec., keep touched till  1x - 8x after app. 15 sec., releasing defines sensor range step																							
	release and wait till	 + 	 1x/sec., keep out of sensor area																							
	wait till	 1x	confirmation, ready for operation																							
<b>security feature</b>	 >15 min.		automatic sensor setting	auto	-	-																				
<b>empty battery</b>			 2x/sec. during dedecting hand / object	auto	-	-																				

\* With optional Service-Adapter or wireless W-Combox and Service Monitor Software! Beside the mentioned functions the Service Monitor Software offers additional possibilities for custom parameterization.

# • electronic functions

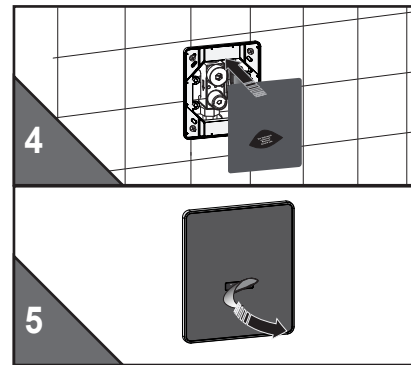
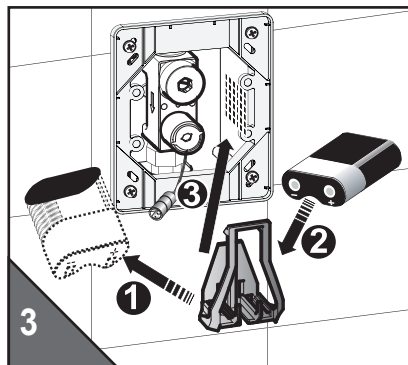
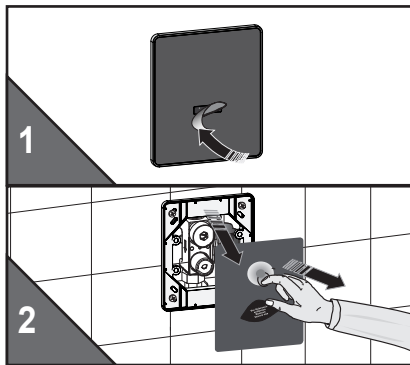
signs and symbols	☉ - touch iqua-Touch		 - hand/object within sensor area
	💧💧💧 - water flows		① - LED flashes GREEN
	XXX - waterflow stops		② - LED flashes RED
	h - hours / min. - minutes / sec. - seconds		

function	procedure	feedback signal	information	default	setting range via iqua-Touch	setting range via PC*																				
	remove sticker + 1x  app. 1 sec. till	② + 💧💧💧	② 1x/sec., keep out of sensor area																							
	wait till	① 1x																								
<b>operation mode</b>	1x  >10 sec. (<10 Min.)	💧💧💧	water flows after leaving the sensor area minimum  =10 sec. - if  <10 sec. no flushing	-	-	-																				
<b>minimum residence time</b>	-	-	fixed, adjustable via PC*	10 sec.	-	3-30 sec.																				
<b>flushing time for normal operation set / programm</b>	1x ☉ app. 2 sec. till	① 1x	extended function mode is active	7 sec.	2-30 sec.	0-3600 sec.																				
	1x ☉ app. 5 sec. till	② 1x																								
	1x ☉ 2 - 30 sec. keep touched	② + 💧💧💧	② 1x/sec. and water flows during touching - releasing defines flushing time																							
	after releasing	① 1x	confirmation, ready for operation																							
<b>temporary off «cleaning mode» activate</b>	1x ☉ app. 2 sec. till	① 1x	extended function mode is active	15 min.	-	0-3600 sec.																				
	2x ☉ a app. 0,5 sec.	②	② pulsing during active function																							
<b>temporary off stop</b>	1x ☉ app. 0,5 sec.	① 1x	manual stop	-	-	-																				
	automatic (preset time)	① 1x	automatic after preset time																							
<b>manual flush activate</b>	1x ☉ app. 2 sec. till	① 1x	extended function mode is active	flushing time	see flushing time	see flushing time																				
	1x ☉ minimum 3 sec. (max. 5 sec.)	② + 💧💧💧	① 1x/sec and waterflow after releasing																							
<b>manual flush stop</b>	1x ☉ app. 0,5 sec.	XXX	manual stop	-	-	-																				
	automatic (preset time)	💧💧💧	automatic after preset time																							
<b>line purge feature «automatic flush on set intervall of non usage»</b>	1x ☉ app. 2 sec. till	① 1x	extended function mode is active	off	off	off																				
			<table border="1"> <thead> <tr> <th></th> <th>purge</th> <th>preflush</th> <th></th> <th>purge</th> <th>preflush</th> </tr> </thead> <tbody> <tr> <td>② 1x</td> <td>off</td> <td>off</td> <td>② 4x</td> <td>off</td> <td>on</td> </tr> <tr> <td>② 2x</td> <td>24 h</td> <td>off</td> <td>② 5x</td> <td>24 h</td> <td>on</td> </tr> <tr> <td>② 3x</td> <td>48 h</td> <td>off</td> <td>② 6x</td> <td>48 h</td> <td>on</td> </tr> </tbody> </table>					purge	preflush		purge	preflush	② 1x	off	off	② 4x	off	on	② 2x	24 h	off	② 5x	24 h	on	② 3x	48 h
	purge	preflush		purge	preflush																					
② 1x	off	off	② 4x	off	on																					
② 2x	24 h	off	② 5x	24 h	on																					
② 3x	48 h	off	② 6x	48 h	on																					
<b>preflush feature activate / deactivate</b>	1x ☉ app. 25 sec. till	② 1x - 6x	ignore flashes after 5 sec. and 10 sec. - keep touched till ② 1x - 6x after app. 25 sec., releasing defines interval	2 sec.	on/off	1 - 3600 sec.																				
<b>restart electronics</b>	1x ☉ app. 2 sec. till	① 1x	extended function mode is active	-	-	manually																				
	2x ☉ a app. 0,5 sec.	②	② pulsing during active function																							
	1x ☉ app. 5 sec. till	② 4x	② 1x/sec.																							
	release and wait till	② + 💧💧💧	② 1x/sec., keep out of sensor area																							
	wait till	① 1x	confirmation, ready for operation																							
<b>sensor range set / programm</b>	1x ☉ app. 2 sec. till	① 1x	extended function mode is active	6	1-8 steps	manually																				
	2x ☉ a app. 0,5 sec.	②	② pulsing																							
	1x ☉ app. 15 sec. till	② 1x - 8x	② 1x = min. .... ② 8x = max. ignore flashes ② 4x after 5 sec., keep touched till ② 1x - 8x after app. 15 sec., releasing defines sensor range step																							
	release and wait till	② + 💧💧💧	② 1x/sec., keep out of sensor area																							
	wait till	① 1x	confirmation, ready for operation																							
<b>security feature</b>	 >15 min.		automatic sensor setting	auto	-	-																				
<b>empty battery</b>		②	② 2x/sec. during dedecting hand / object	auto	-	-																				

\* With optional Service-Adapter or wireless W-Combox and Service Monitor Software! Beside the mentioned functions the Service Monitor Software offers additional possibilities for custom parameterization.

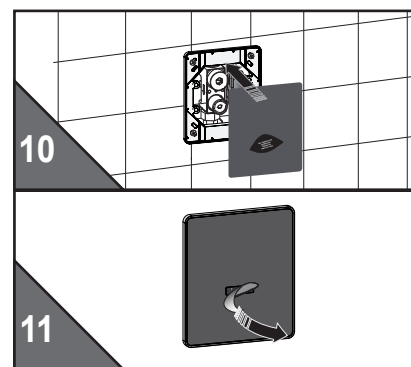
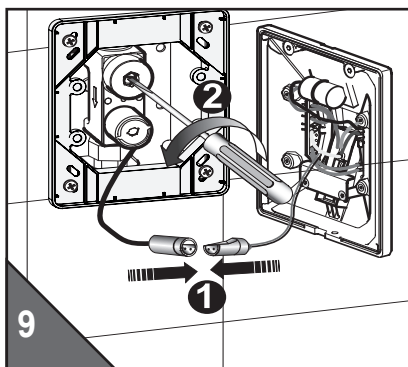
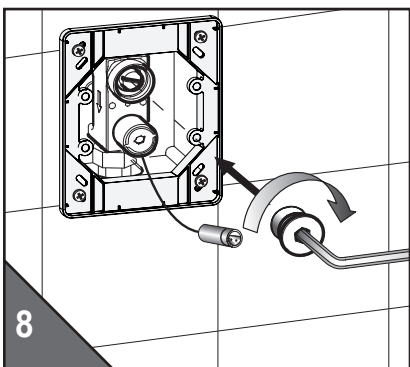
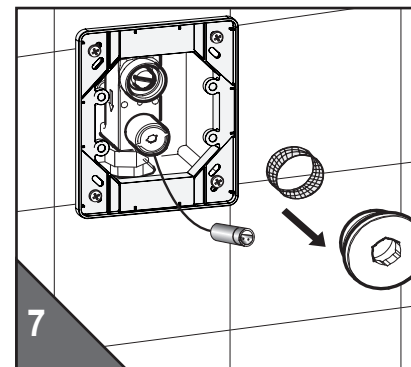
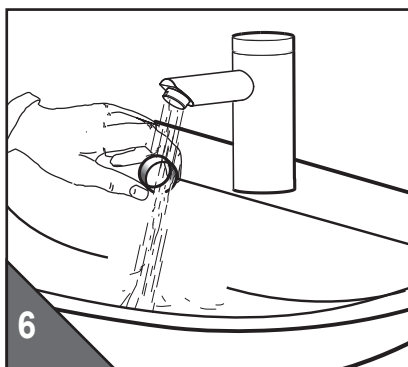
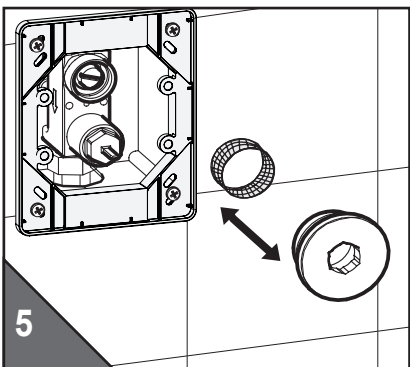
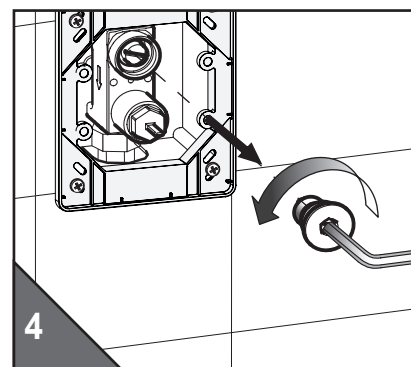
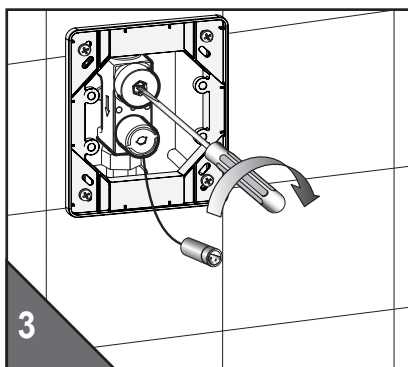
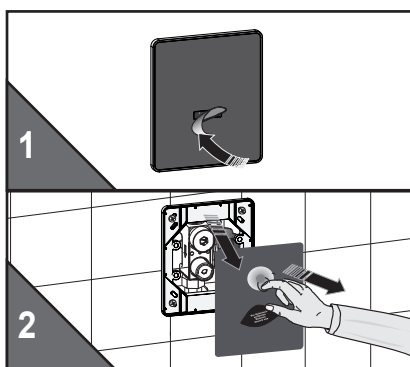
- Batteriewechsel
- Cambio batteria

- Changing battery
- Remplacer la pile



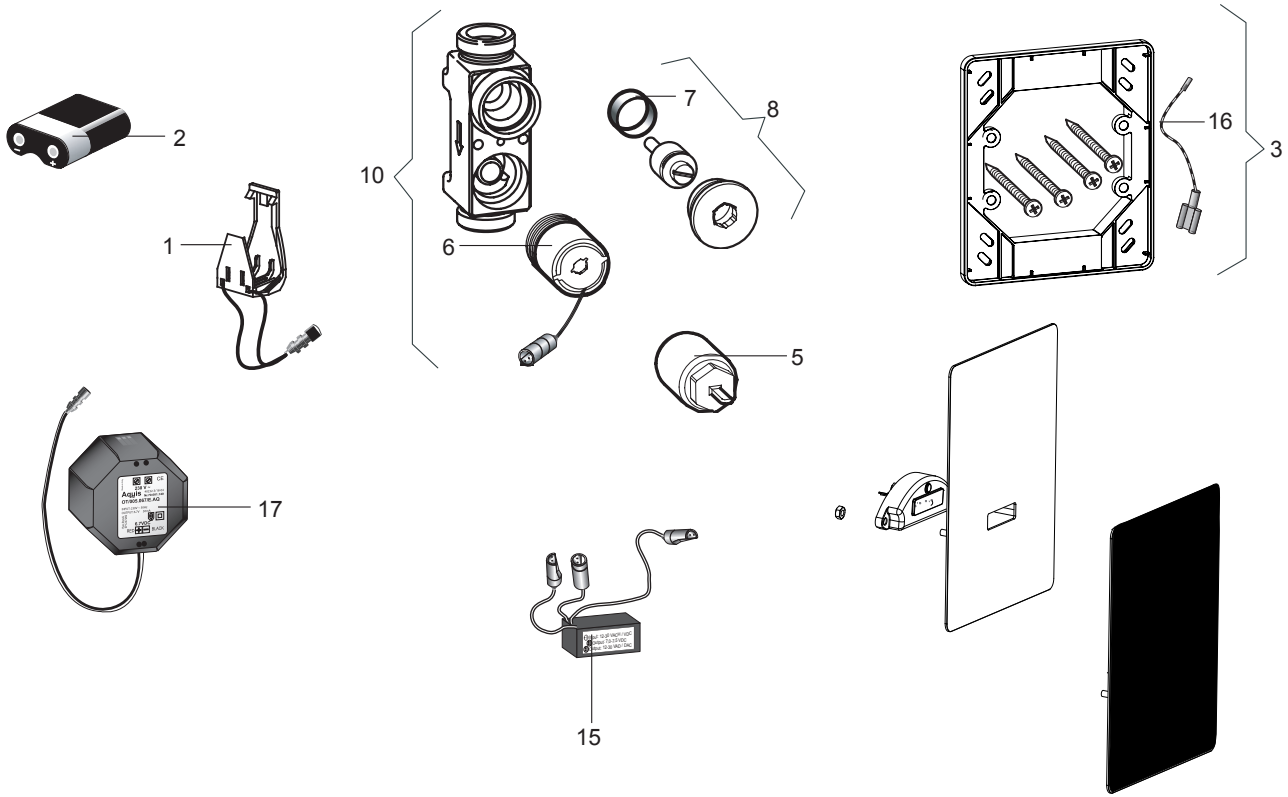
- Schmutzsieb-Reinigung
- Pulire il filtro

- Cleaning the filters
- Nettoyage du tamis

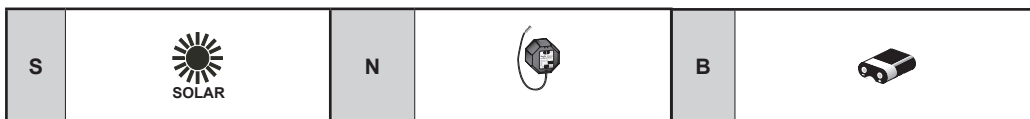


- Systemübersicht
- Vista generale del sistema

- System overview
- Résumé du système




			ws
			cm
			S
			B
			N

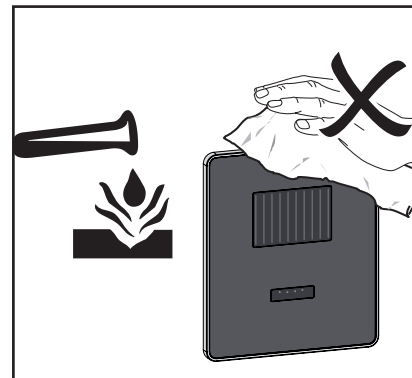
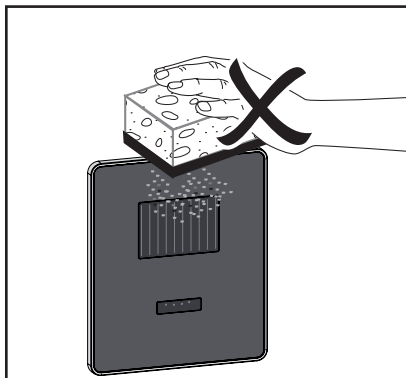
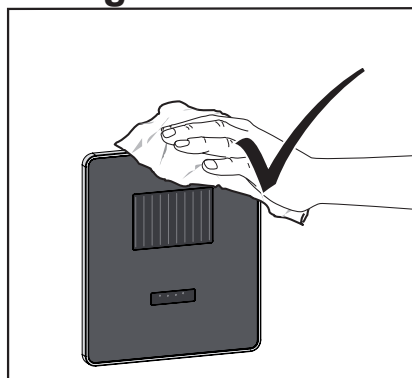


• Technische Daten  
• Dati tecnici

• Technical Data  
• Données techniques

Batterie-/Solarbetrieb	battery/solar operation	Funzionamento a batterie/ solar	Fonctionnement sur batterie /solar	<b>6V DC</b>
Netzbetrieb	mains supply	Funzionamento con aliment- azione di rete	Fonctionnement sur secteur	<b>230V AC / 6V DC</b>
Wasserdruck	water pressure	Pressione dell'acqua	Pression de l'eau	<b>0,3 - 10 bar</b>
Durchflussmenge	flow rate	Portata	Débit	<b>20 - 30 l/min</b>
Verweilzeit	delay time	Tempo di sosta	Temporisation	<b>8 sec</b>
Wasserlaufzeit Werkseinstellung	time of waterflow	Tempo di apertura	Durée d'écoulement de l'eau	<b>1,5 - 30 sec 7 sec</b>
Abstand vor Urinal zu Wand	distance urinal to wall	Distanza dell'urinale dalla parete.	Distance entre l'urinoir et le mur.	<b>min. 1m</b>
Die Einstellung der Sensor- reichweite erfolgt automatisch	The sensor range is set automatically	La regolazione della portata del sensore è automatica	Le réglage de la portée du détecteur est automatique	<b>Sensor</b>

• Pflege • Maintenance • Cura • Entretien



## Störungsbehebung

Störung/Fehler	Mögliche Ursache	Behebung
Es fliesst kein Wasser	<ul style="list-style-type: none"> <li>· „Kurz-Aus“ ist aktiviert</li> <li>· Absperrventil geschlossen</li> <li>· Schmutzsieb verstopft</li> <li>· Batterie leer</li> <li>· Stromausfall / Netzteil defekt</li> </ul>	<ul style="list-style-type: none"> <li>· „Kurz-Aus“ beenden</li> <li>· Absperrventil öffnen</li> <li>· Schmutzsieb reinigen</li> <li>· Batterie austauschen</li> <li>· Stromversorgung prüfen</li> </ul>
Amatur spült selbständig (ohne Benutzung)	<ul style="list-style-type: none"> <li>· Reflexion an Gegenständen</li> </ul>	<ul style="list-style-type: none"> <li>· Automatische Einmessung</li> <li>· Einstellung der Sensorreichweite</li> </ul>
Wasser fliesst permanent	<ul style="list-style-type: none"> <li>· Ventil verschmutzt / defekt</li> </ul>	<ul style="list-style-type: none"> <li>· Ventil reinigen / erneuern</li> </ul>
Rote LED blinkt	<ul style="list-style-type: none"> <li>· Reset</li> <li>· Batterie leer</li> </ul>	<ul style="list-style-type: none"> <li>· 20 min warten</li> <li>· Batterie austauschen</li> </ul>

## Trouble shooting

Disturbance / Error	Cause	Solution
Valve does not flush	<ul style="list-style-type: none"> <li>· „Intermittent off“ is activated</li> <li>· Stop valve closed or filter clogged</li> <li>· Battery flat</li> <li>· Power failure</li> </ul>	<ul style="list-style-type: none"> <li>· End „intermittent off“</li> <li>· Open stop valve or clean filter</li> <li>· Change battery</li> <li>· Check power supply</li> </ul>
Valve flushes uncontrolled (without use)	<ul style="list-style-type: none"> <li>· Reflection</li> </ul>	<ul style="list-style-type: none"> <li>· Automatic sensor adjustment</li> <li>· Setting the sesor range</li> </ul>
Water flows permanently	<ul style="list-style-type: none"> <li>· Valve soiled / defect</li> </ul>	<ul style="list-style-type: none"> <li>· Clean / Renew the valve</li> </ul>
Red LED flashes	<ul style="list-style-type: none"> <li>· Reset</li> <li>· Battery flat</li> </ul>	<ul style="list-style-type: none"> <li>· Wait 20 min</li> <li>· Change battery</li> </ul>

## Difetti di funzionamento

Difetto / Errore	Possibili causa	Soluzioni
L'orinatoio non sciacqua	<ul style="list-style-type: none"> <li>· „Arresto temporaneo“ attivato</li> <li>· Valvola d'intercettazione chiusa o filtro intasato</li> <li>· Batteria esaurita</li> <li>· Breve interruzione di corrente</li> </ul>	<ul style="list-style-type: none"> <li>· „Arresto temporaneo“ terminato</li> <li>· Aprire la valvola d'intercettazione o pulire il filtro</li> <li>· Cambiare la batteria</li> <li>· Verificare l'alimentazione elettrica</li> </ul>
L'orinatoio si attiva autonomamente (senza essere stato usato)	<ul style="list-style-type: none"> <li>· Riflesso</li> </ul>	<ul style="list-style-type: none"> <li>· Misurazione automatica</li> <li>· Impostazione della portata del sensore</li> </ul>
L'acqua scorre continuamente	<ul style="list-style-type: none"> <li>· Valvola sporca / difettosa</li> </ul>	<ul style="list-style-type: none"> <li>· Pulito / Rinnovi la valvola</li> </ul>
LED rosso lampeggia	<ul style="list-style-type: none"> <li>· Reset</li> <li>· Batteria esaurita</li> </ul>	<ul style="list-style-type: none"> <li>· Aspettare 20 min</li> <li>· Cambiare la batteria</li> </ul>

## Elimination des perturbations

Perturbation / Erreur	Cause possible	Solution
Aucun déclenchement	<ul style="list-style-type: none"> <li>· „Arrêt bref“ activé</li> <li>· Soupape d'arrêt fermée ou tamis bouché</li> <li>· Pile usée</li> <li>· Panne de courant</li> </ul>	<ul style="list-style-type: none"> <li>· Terminer „Arrêt bref“</li> <li>· Ouvrir la soupape d'arrêt ou nettoyer le tamis</li> <li>· Remplacer la pile</li> <li>· Contrôler l'alimentation en courant</li> </ul>
L'eau coule d'elle-même (sans que l'urinoir soit utilisé)	<ul style="list-style-type: none"> <li>· Reflet</li> </ul>	<ul style="list-style-type: none"> <li>· Réglage automatique de la cellule</li> <li>· Réglage de la portée du détecteur</li> </ul>
L'eau coule en permanence	<ul style="list-style-type: none"> <li>· Soupape encrassée / défectueuse</li> </ul>	<ul style="list-style-type: none"> <li>· Nettoyer / Nover la soupape</li> </ul>
La DEL rouge clignote	<ul style="list-style-type: none"> <li>· Reset</li> <li>· Pile usée</li> </ul>	<ul style="list-style-type: none"> <li>· Attendre 20 min</li> <li>· Remplacer la pile</li> </ul>

## Hotline

<p><b>AT</b>  <b>Aquis Sanitär AG</b>          Balgacherstr. 17          CH-9445 Rebstein, Switzerland          t: +43-720-511115          f: +41-71-7771641          hotline@aquis.ch; www.aquis.ch</p>	<p><b>AE</b>  <b>Allied Arab Trading Co. LLC</b>          P.O.Box : 34308          Dubai, United Arab Emirates          t: +971 4 4240567          f: +971 4 4240568          info@allieduae.com www.allieduae.com</p>	<p><b>CH</b>  <b>Aquis Sanitär AG</b>          Balgacherstr. 17          CH-9445 Rebstein, Switzerland          t: +41-71-7759542          f: +41-71-7771641          hotline@aquis.ch; www.aquis.ch</p>
<p><b>DE</b>  <b>Sanitär Services GmbH</b>          Robert Bosch Strasse 29a          D-88131 Lindau, Germany          t: 0180-5323698          f: +41-71-7771641          hotline@aquis.ch; www.aquis.ch</p>	<p><b>DK</b>  <b>Cassoe A/S</b>          Sakskobingvej 10          DK-7400 Herning, Denmark          t: +45-9712-7400          f: +45-9712-2440          mai@cassoe.dk; www.cassoe.dk</p>	<p><b>ES</b>  <b>Klaus R. Bauer</b>          Alcalde Martínez Ecija 34          08917 Badalona, Spain          Tel. +34 609 791 484          k.bauer@orange.es          klaus@klausrbauer.com; www.klausrbauer.com</p>
<p><b>FR</b>  <b>PBL BandK</b>          39 Rue du Lieutenant Colonel Prevost          69006 Lyon, France          t: +33 472 839 911          f: +33 478 529 008          pbl149@hotmail.com; www.bandk.fr</p>	<p><b>HK</b>  <b>JBM Building Products Limited</b>          Unit 1801, 18/F., Tower 2,          Grand Century Place,          193 Prince Edward Road West.          Mongkok, Kowloon, Hongkong (SAR)          t: +852-3180-3330          f: +852-2882-5036          jbm@jebesen.com; www.jebesen.com</p>	<p><b>IL</b>  <b>Zchori and Sons's Industries Ltd.</b>          P.O.Box: 4561 Segola          IL-49277 Petach-Tekva, Israel          t: +972-3-9249696          f: +972-3-9213362          ofer@zchori.co.il</p>
<p><b>IN (New Delh 90)</b>  <b>New Manglapuri</b>          Mehrauli Gurgaon Road          New-Delhi 110030, India          Mr. Suheel Nabi          m: +91 9873080465          f: +91 11 26302678/79          snabi@shroffinc.org,</p>	<p><b>IN (Mumbai)</b>  <b>G-28B T.V Industrial Estate,</b>          A.K Ahire Marg, Worli,          Mumbai 400025, India.          Mr. Dheeraj Khandelwal          m: +91 9987064993          f: +91 2224904730          dkhandelwal@shroffinc.org</p>	<p><b>IN (Sampurna)</b>  <b>Marketing Private Limited</b>          Corporate Office          2nd Flor, No.10, 1st Main Road, Vyalikaval,          Bangalore – 560003, India          Mr. Mrinal Kumar          m: +91 9902764566          f: +91 80 40733000.          mkumar@shroffinc.org</p>
<p><b>IR</b>  <b>FFK</b>          Farda Fan Kamran Co.          1 stFloor, No. 1, Rose Str. Kargar Shomali Ave.          14119 Tehran          Telefon: +98-21-8871-5900          Fax: +98-21-8871-5984</p>	<p><b>IS</b>  <b>TENGI ehf</b>          Smiojuvegur 11          202 Kopavogur, Iceland          t: +354-564-1088          f: +354-564-1089          thorir@tengi.is; www.tengi.is</p>	<p><b>KW</b>  <b>Modern Construction Co.</b>          Al-Sour Str., Al-Thuwainy Bldg. 1st Floor          13129 Safat, Kuwait          t: +965 (49) 11 911 – 106          f: +965 (492) 0361          info@mcckct.com</p>
<p><b>NL</b>  <b>DoWi Handelsondernehmung BV</b>          Hertog van Gelresingel 16          NL 5961 TB Horst, Netherlands          t: +31-773-524385          f: +31-773-524388          win.douven@hetnet.nl</p>	<p><b>NO</b>  <b>SaniTech AS</b>          Liamyrane 6          NO-5090 Nyborg, Norway          t: +47-55-393940          f: +47-55-393941          postmaster@sanitech.no; www.sanitech.no</p>	<p><b>RU</b>  <b>Sanilux</b>          Ul. Okskaja d.5, korp.1          109129 Moscow, Russian Federation          t: +7 495 5072872          f: +7 495 3826681          ru@kaldewei.ru</p>
<p><b>SA</b>  <b>AL Makhayl Trading Corporation</b>          P.O.Box 51400          Riyadh 11543, Kingdom of Saudi Arabia          t: +966-1-416-1066          f: +966-1-416-1022          sssayyari@hotmail.com</p>	<p><b>SY</b>  <b>Luxury</b>          Abu Rommaneh          P.O. Box 30261          Damascus, Syria          t: +963113346600          f: +963113346601          luxury.baalbaki@gmail.com</p>	<p><b>UA</b>  <b>Bohdan Kornatskyy</b>          Stusa Strasse 24          47726 Ternopil - Pidhorodnjne, Ukraine          t: +380 352499008          f: +380 352499008          bkornatskyy@ukr.net</p>

## Kompetenz durch Technik und Design

Der Leitsatz, der seit über einem Jahrhundert auf den Punkt bringt, was sich hinter den iqua Produkten verbirgt.

Ökologische Wassersparprodukte, die durch Hygiene und Komfort zum Wohle des Benutzers und der Umwelt beitragen. Langjährige Erfahrung, die im Bereich Wassersparmanagement für den Sanitärbereich fortlaufend konsequent umgesetzt wird.

Der eigene Anspruch ist dabei besonders hoch. Formschönes Design, Funktionssicherheit, aber auch die einfache Bedienung und Montage sind unerlässliche Maßstäbe.

Nicht umsonst sind iqua Produkte führend im Segment elektronischer Sanitärarmaturen und -systeme.

Innovationskraft, höchste Qualitätsanforderung sowie das sichere Gespür für die Bedürfnisse des Markts machen iqua Produkte zum Trendsetter mit hohem Kundennutzen.

Aquis Sanitär AG

Balgacherstr. 17

CH-9445 Rebstein, Schweiz

Tel. +41-71-7759500,

Fax. +41-71-7771641

[info@iqua.ch](mailto:info@iqua.ch), [www.iqua.ch](http://www.iqua.ch)